

Technische Daten

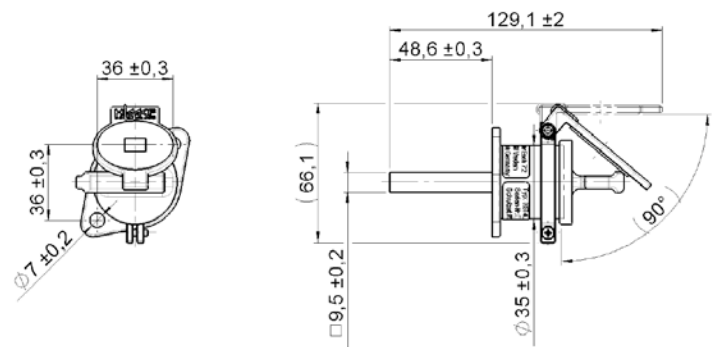
| | |
|-------------------------------|----------------------------|
| Environment: | Indoor / outdoor |
| Temperature range: | -25°C to + 40°C |
| Humidity: | to 100% (standard climate) |
| Material: | stainless steel |
| Ambient atmosphere: | industrial environments |
| mounting position: | all |
| Mechanical service life: | 280.000 actuations |
| Service life: | 15 years |
| Mean Time To Failure (MTTFd): | 150 years |

Intended Use

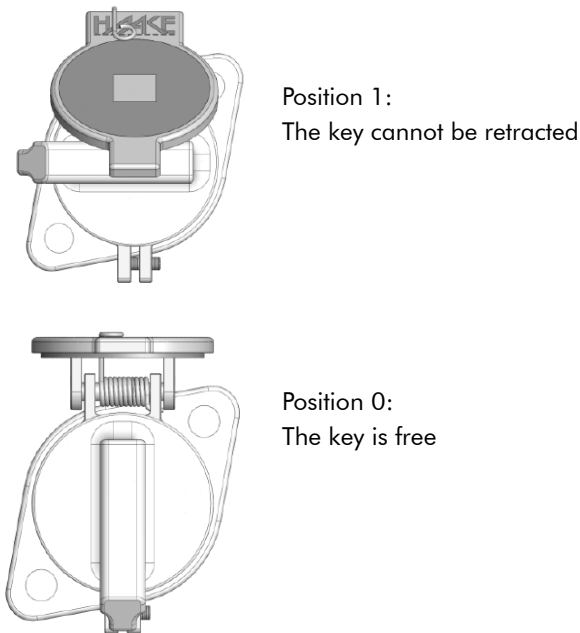
The Interlocking device HST-LS is used for actuating switches, which are not included in the scope of the Haake key transfer system HST. Removing the key safeguards against it being switched back on. The Interlocking device and the HST-LS switches to be actuated must be mounted to each other in such a way that the square axis of the clamping ram of the interlocking device locks the HST-LS switch securely and positively. The switch must be turned to the OFF position by removing the key, thus disconnecting the load circuit from the drive assembly. This safety function is not an integral component of the HST system.

Other applications are prohibited.

Dimensions Ident.-No: 10268



Structure and function



Dimensions Ident.-No: 10269

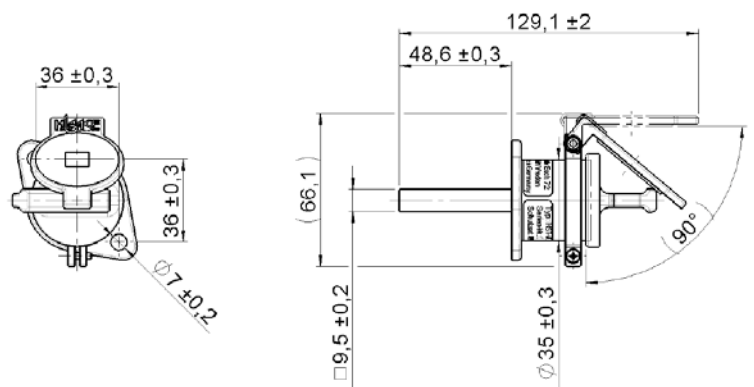


Figure shows HST-LS Ident.-No.: 10268

Dimensional specifications in mm.