

### Intended use

The guard locking device HST-TZ1 comprises a lock and slam-type locking actuator mechanism suitable for hinged doors and flaps. It can be used on misaligned and sagging doors. Inserting and trapping the coded key in the HST-TZ1 releases the actuator allowing the door to open.

If the guard locking device is used to protect access to a hazard, measures are required that secure that prior to access the hazardous movements are stopped, for instance by HST-S or HST-M devices.

In conjunction with other components, the guard locking device HST-TZ1 is used for locking guards in precipitators, quarry machines, or power plants etc.

**Please note:** Not allowable for hazardous areas where full-body access is possible. At guards with full-body access, a model with personal safety key must be installed, e.g. HST-TZ2.

### Functional diagram



the guard locking device is closed, the key is free and can be removed

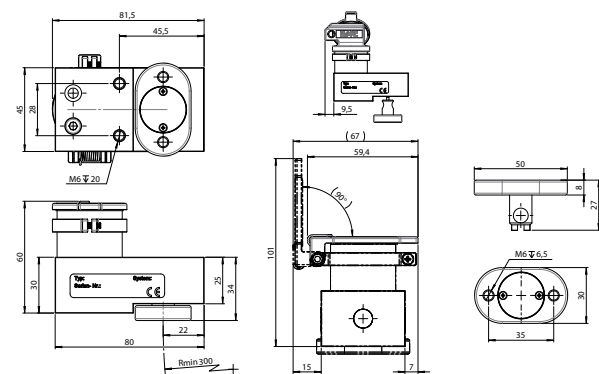


the guard locking device is open, the key is trapped  
(Key not supplied)

### Technical Data

Environment:	indoors/outdoors
Ambient atmosphere:	industrial
Ambient temperature:	-25 ... +80 °C
Material:	stainless steel
Mounting lock portion:	from behind, 2 × M6 stainless steel bolts, A2-70
Mounting actuator:	from behind, 2 × M6 stainless steel bolts, A2-70  (fasteners not supplied)
Orientation actuator:	rear right

### Dimensions



All dimensions in mm  
General tolerances to DIN 2768-m