

**Intended use**

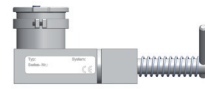
The guard locking device HST-TS1 comprises a lock portion and a lateral locking bolt. It is used as guard locking device on hinged, sliding or removable doors and flaps. Inserting and trapping the coded key in the HST-TS1 releases the locking bolt allowing the door to open.

If the guard locking device is used to protect access to a hazard, measures are required that secure that prior to access the hazardous movements are stopped, for instance by HST-S or HST-M devices.

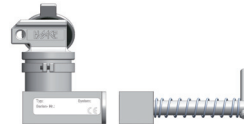
In conjunction with other components, the guard locking device HST-TS1 is used for locking guards in precipitators, quarry machines, or power plants etc.

**Please note:** Not allowable for hazardous areas where full-body access is possible. At guards with full-body access, a model with personal safety key must be installed, e.g. HST-TS2.

**Functional diagram**



the guard locking device is closed, the key is free and can be removed

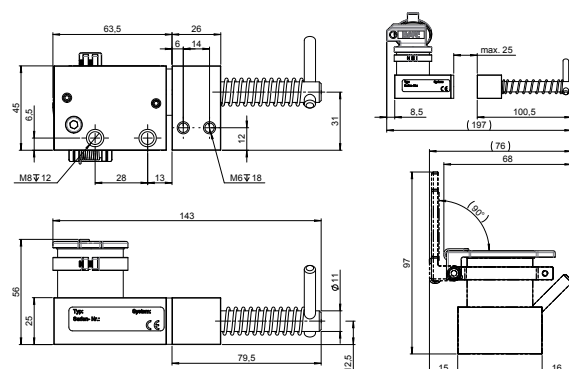


the guard locking device is open, the key is trapped  
(Key not supplied)

**Technical Data**

- Environment: indoors/outdoors
- Ambient atmosphere: industrial
- Ambient temperature: -25 ... +80 °C
- Material: stainless steel
- Mounting lock portion: from behind, 2 × M8 stainless steel bolts, A2-70
- Mounting actuator: from behind, 2 × M6 stainless steel bolts, A2-70  
(fasteners not supplied)
- Orientation actuator: right

**Dimensions**



All dimensions in mm  
General tolerances to DIN 2768-m