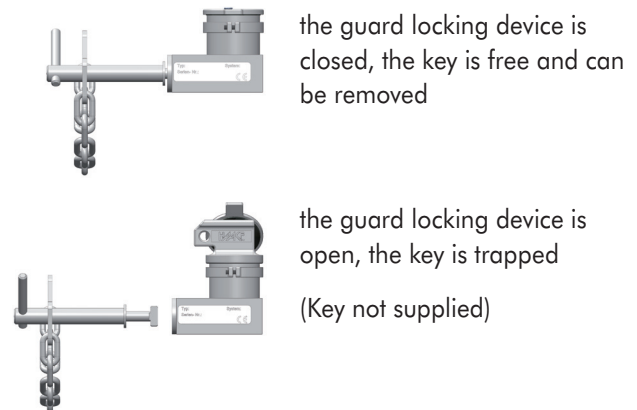


Functional diagram



Intended use

The guard locking device HST-TS1 comprises a lock portion and a lateral locking bolt. It is used as guard locking device on hinged, sliding or removable doors and flaps. Inserting and trapping the coded key in the HST-TS1 releases the locking bolt allowing the door to open.

If the guard locking device is used to protect access to a hazard, measures are required that secure that prior to access the hazardous movements are stopped, for instance by HST-S or HST-M devices.

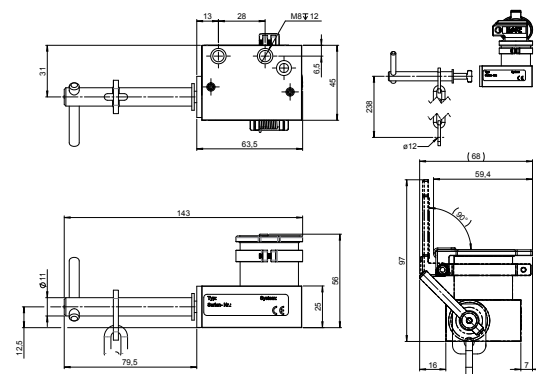
In conjunction with other components, the guard locking device HST-TS1 is used for locking guards in precipitators, quarry machines, or power plants etc.

Please note: Not allowable for hazardous areas where full-body access is possible. At guards with full-body access, a model with personal safety key must be installed, e.g. HST-TS2.

Technical Data

Environment:	indoors/outdoors
Ambient atmosphere:	industrial
Ambient temperature:	-25 ... +80 °C
Material:	stainless steel
Mounting lock portion:	from behind, 2 × M8 stainless steel bolts, A2-70
Mounting actuator:	from front, 1 × M10 stainless steel bolt, A2-70 (fasteners not supplied)
Orientation actuator:	left

Dimensions



All dimensions in mm
General tolerances to DIN 2768-m