

Intended use

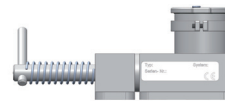
The guard locking device HST-TS1 comprises a lock portion and a lateral locking bolt. It is used as guard locking device on hinged, sliding or removable doors and flaps. Inserting and trapping the coded key in the HST-TS1 releases the locking bolt allowing the door to open.

If the guard locking device is used to protect access to a hazard, measures are required that secure that prior to access the hazardous movements are stopped, for instance by HST-S or HST-M devices.

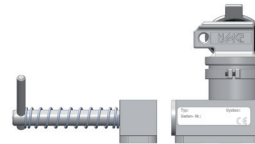
In conjunction with other components, the guard locking device HST-TS1 is used for locking guards in precipitators, quarry machines, or power plants etc.

Please note: Not allowable for hazardous areas where full-body access is possible. At guards with full-body access, a model with personal safety key must be installed, e.g. HST-TS2.

Functional diagram



the guard locking device is closed, the key is free and can be removed



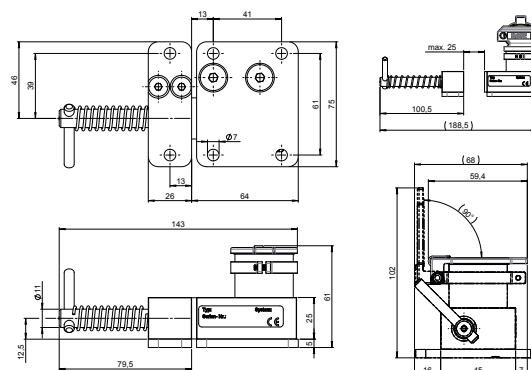
the guard locking device is open, the key is trapped
(Key not supplied)

Technical Data

- Environment: indoors/outdoors
- Ambient atmosphere: industrial
- Ambient temperature: -25 ... +80 °C
- Material: stainless steel
- Mounting lock portion: from front,
4 × M6 stainless steel bolts,
A2-70
- Mounting actuator: from front,
2 × M6 stainless steel bolts,
A2-70

(fasteners not supplied)
- Orientation actuator: left

Dimensions



All dimensions in mm
General tolerances to DIN 2768-m